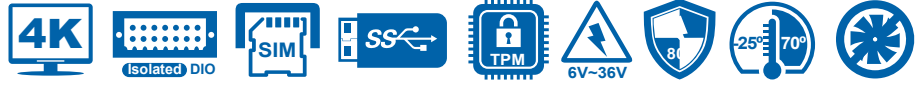


MiniPC4-9000

Quad Core 6th Generation Intel® Core™ i7/ i5/ i3 (Skylake-S) Fanless Robust Computing System with Intel® Q170 Chipset, 2 Gigabit LAN, 7 USB 3.0, 4 COM, 4 PCI/ PCIe Slot, 3 SIM, 32 Isolated DIO, High Performance, Flexible, Expandable, Extended Temperature

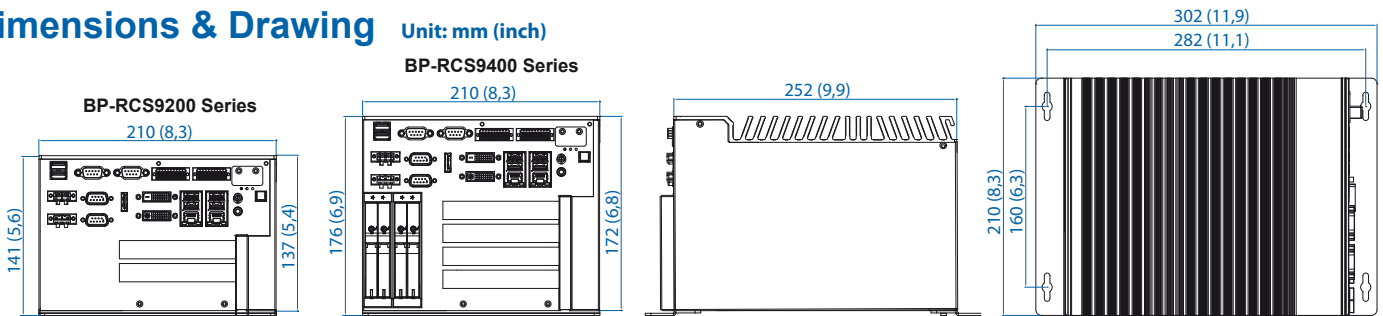


- LGA 1151 Socket supports Quad Core 6th Gen Intel® Core™ i7/ i5/ i3 Processor (Skylake-S)
- Onboard DVI-I, DVI-D and DisplayPort display interface, up to 3 independent HD displays
- Fanless, -25°C to 70°C Operating Temperature
- 6V to 36V DC-in, 80V Surge Protection
- 2 Independent Gigabit LAN, iAMT 11.0 supported
- 4/2 Front-access 2.5" SSD/ HDD Tray, 1 CFast Socket
- 3 SIM Card Socket for 3G/ 4G/ LTE/ WiFi/ GPRS/ UMTS
- 4 PCI/ PCIe Slot, 3 Mini PCIe, 4 COM
- 7 USB 3.0, 32 Isolated DIO
- Configurable Ignition Power Control



Dimensions & Drawing

Unit: mm (inch)



Specifications

System	
Processor	Intel® Core™ i7-6700/ i7-6700TE/ i5-6500/ i5-6500TE/ i3-6100/ i3-6100TE Processor (Skylake-S)
Chipset	Intel® Q170
BIOS	AMI
SIO	IT8786E
Memory	2 DDR4 2133MHz SO-DIMM, up to 32GB
I/O Interface	
Serial	4 COM RS-232/ 422/ 485
USB	• 7 USB 3.0 (6 External, 1 Internal) • 2 USB 2.0 (Internal)
Isolated DIO	32 Isolated DIO : 16 DI, 16 DO
LED	Power, HDD
SIM Card	3 SIM Card Socket (2 External, 1 Internal)
Expansion	
Mini PCIe	3 Mini PCIe Socket : • 2 Full-size for PCIe/ USB/ External SIM Card • 1 Full-size for PCIe/ USB/ Internal SIM Card/ mSATA
PCIe	Up to 4 PCIe Slot, by request
PCI	Up to 4 PCI Slot, by request
Graphics	
Processor	Intel® HD Graphics 530
Interface	• DVI-I : Up to 1920 x 1200 @ 60Hz • DVI-D : Up to 1920 x 1080 @ 60Hz • DisplayPort : Up to 4096 x 2304 @ 60Hz
Storage	
SATA	4 SATA III (6Gbps)
mSATA	1 mSATA
Storage	1 SATA III (6Gbps)

Ethernet	
LAN 1	Intel® I219LM Gigabit LAN supports iAMT 11.0
LAN 2	Intel® I210 Gigabit LAN
Power	
Power Input	6V to 36V, DC-in
Power Interface	3-pin Terminal Block : V+, V-, Frame Ground
Ignition Control	16 Mode (Internal)
Remote Switch	3-pin Terminal Block
Surge Protection	Up to 80V/1ms Transient Power
Others	
TPM	Optional Infineon SLB9665 supports TPM 2.0, LPC Interface
Watchdog Timer	Reset : 1 to 255 sec./min. per step
Smart Management	Wake on LAN, PXE supported
HW Monitor	Monitoring temperature, voltages. Auto throttling control when CPU overheats.
Software Support	
OS	Windows 10, Windows 8.1, Windows 7, Linux
Mechanical	
Dimensions (WxLxH)	172mm x 252mm x 210mm (6.8" x 9.9" x 8.3")
Weight	3.8 kg (8.4 lb)
Mounting	Wallmount by mounting bracket
Environment	
Operating Temp.	• 35W TDP CPU (i7-6700TE, i5-6500TE, i3-6100TE) :

